

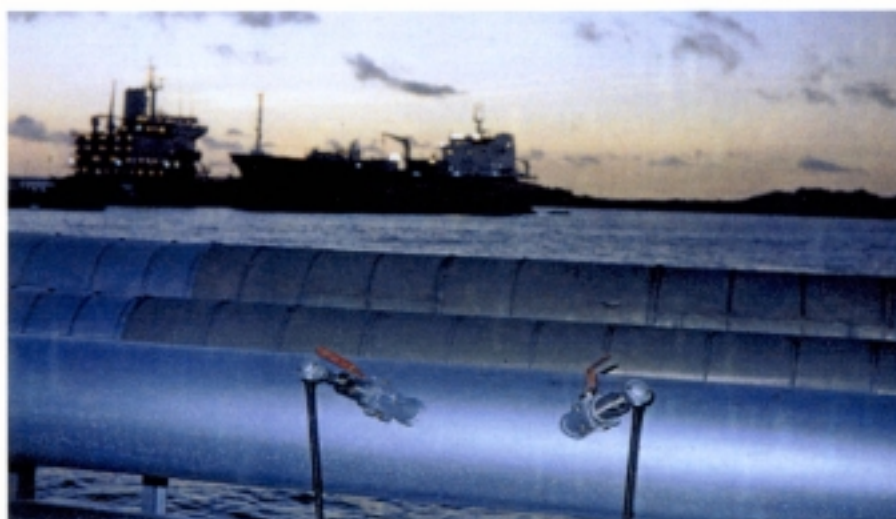
MINISONIC EXD



for hazardous areas

The **MINISONIC** Series now includes a new explosion proof range. The new **MINISONIC EXD** (EEx'd') can be used for the following applications :

- ✓ Flow measurement of **liquids** : MINISONIC 600 or 2000
- ✓ Flow measurement of **gas** : MINISONIC G
- ✓ **Interface & pigs** detection : MINISONIC ISD



Ultraflux

Ultrasonic measurements

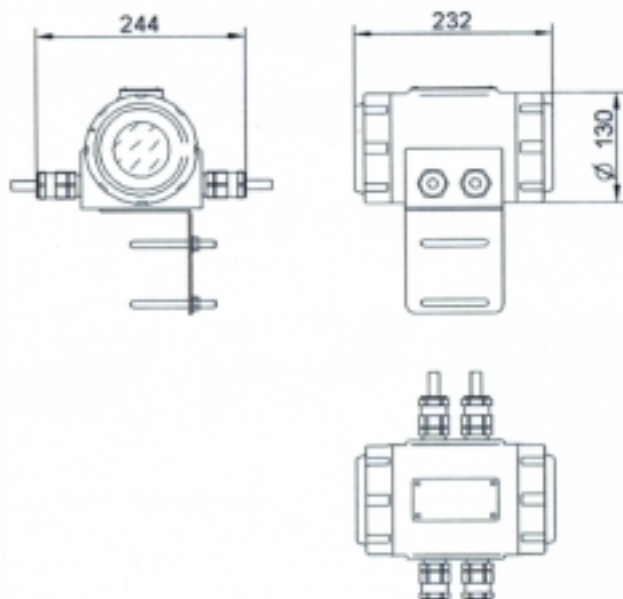
*Agreement EEx'd' IIC T6 according to norms :
EN.50014 (March 1999) and
EN.50018 (April 1996).
LCIE : N° 01.E6023*

Electrical characteristics :

- Power supply : low voltage
 - DC : 10 to 30 V
 - AC : 9 to 18 V
- Consumption < 8 W
- Output 4-20 mA : galvanic isolated
- 2 programmable static relays

Mechanical characteristics

- Weight : 6.6 Kg
- Dimensions :



- Cabinet : cast aluminium, polyester paint
- Protection : IP 67
- Ambient temperature : -30°C to à 50°C
- Mounting : mounting system (supplied) for horizontal or vertical pipe 2''

Configuration (Programming) :

- Display and keyboard for fast setting (4 keys, drop down menus)
- Software for user-friendly configuration
Serial RS 232 and RS 485 Jbus- Modbus protocol



CLAMP-ON PROBES



INSERTION PROBES

MINISONIC EXD must be used with ultrasonic probes which are manufactured to EEx'm', EEx'me' or EEx'md' safety protection.

For the different possible applications, please refer to the specific datasheets and consult us.

Ultraflux

Technoparc – 17, rue C.E. Jeanneret 78306 POISSY – France –
Tel : +33.1.39.91.22 – Fax : +33.1.39.79.91.22
Web : www.ultraflux.com - @ : ultraflux@ultraflux.fr

Distributed by :